

# 25 cylinder components

Cylinder Components	Sec25:2
Clevises	Sec25:12
Spherical Bearings	Sec25:18
Cylinder Kits	Sec25:19
Tie Rod Hydraulic Cylinders and Components	Sec25:22
Tie Rod Kits	Sec25:24
Tie Rod Kits–Dimensions	Sec25:25

## Cylinder Components

### mechanical burnished tubing - ST 52B



Part Number	ID	OD	kg/m	Wall Thickness	Retail price R (per meter)
MHT40x50MM	40	50	5.55	5	
MHT50x60MM	50	60	6.78	5	
MHT50x65MM	50	65	10.63	7.5	
MHT50x70MM	50	70	14.79	10	
MHT50x75MM	50	75	11	12.5	
MHT55x65MM	55	65	7.4	5	
MHT60x70MM	60	70	8.01	5	
MHT63x73MM	63	73	8.38	5	
MHT63x76MM	63	76	11.14	6.5	
MHT63x80MM	63	80	14.98	8.5	
MHT63x83MM	63	83	18	10	
MHT65x80MM	65	80	17	7.5	
MHT65x85MM	65	85	18.49	10	
MHT70x80MM	70	80	9.25	5	
MHT70x85MM	70	85	14.33	7.5	
MHT75x95MM	75	95	20.95	10	
MHT80x90MM	80	90	10.48	5	
MHT80x95MM	80	95	16.18	7.5	
MHT80x100MM	80	100	22.18	10	
MHT85x88MM	65	88	21.69	11.5	
MHT85x100MM	80	100	22.18	10	
MHT85x105MM	85	105	23.42	10	
MHT90x105MM	90	105	18.03	7.5	
MHT95x105MM	95	105	12.32	5	
MHT100x115MM	100	115	19.88	7.5	
MHT100x120MM	100	120	27.13	10	
MHT100x125MM	100	125	34.66	12.5	
MHT100x130MM	100	130	42.52	15	
MHT105x120MM	105	120	20.8	7.5	
MHT110x125MM	110	125	21.72	7.5	
MHT110x130MM	110	130	29.59	10	
MHT120x140MM	120	140	32.06	10	
MHT120x150MM	120	150	49.91	15	

## Cylinder Components

### mechanical burnished tubing - ST 52B

Part Number	ID	OD	kg/m	Wall Thickness	Retail price R (per meter)
MHT125x140MM	125	140	24.49	7.5	
MHT125x145MM	125	145	33.29	10	
MHT125x150MM	125	150	42.38	12.5	
MHT125x152MM	125	152	46.11	12.5	
MHT130x150MM	130	150	34.51	10	
MHT130x155MM	130	155	43.9	12.5	
MHT140x165MM	140	165	46.99	12.5	
MHT140x168MM	140	168	53.17	14	
MHT150x160MM	150	160	19.11	5	
MHT150x170MM	150	170	39.46	10	
MHT150x180MM	150	180	61.03	15	
MHT160x180MM	160	180	41.92	10	
MHT160x185MM	160	185	53.15	12.5	
MHT170x200MM	170	200	59.26	15	
MHT180x210MM	180	210	72.13	15	
MHT200x230MM	200	230	79.49	15	
MHT2x212"	50.8	63.5	8	5.08	
MHT3x312"	76.2	88.9	12.92	6.35	
MHT3x334"	76.2	95.25	17	9.53	
MHT3x338"	76.2	86.2	10.18	8.08	
MHT4x412"	101.6	114.3	16.9	6.35	
MHT4x434"	101.6	120.65	26.09	9.55	
MHT5x512"	127	139.7	20.87	6.35	
MHT412x5"	114.3	127	18.88	6.35	

Note: If material has been cut to ordered size, the order will not be accepted back for credit or cancellation. COD ORDERS will only be cut once payment has been received.

We are continually increasing our range (additional sizes) on the mechanical tubing and chrome rod, therefore if it is not in the catalogue please phone the sales department to confirm stock on specific sizes you require.

## Cylinder Components

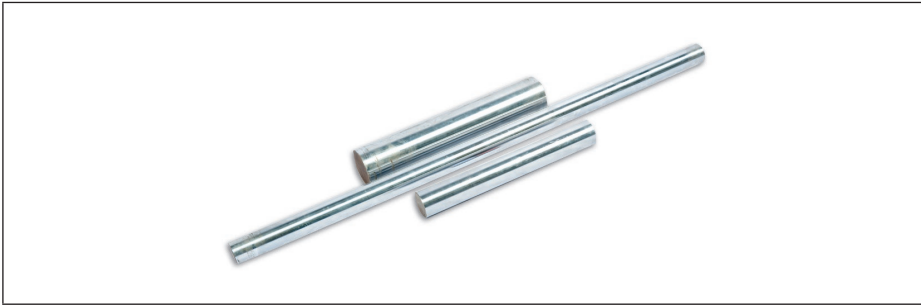
### chrome rod standard

Part number	Diametre	Weight kg/m	Retail price R (per meter)
SCHR16MM	16	1.58	
SCHR20MM	20	2.46	
SCHR22MM	22	2.98	
SCHR25MM	25	3.85	
SCHR30MM	30	5.55	
SCHR32MM	32	6.31	
SCHR33MM	33	6.72	
SCHR35MM	35	7.55	
SCHR36MM	36	7.99	
SCHR38MM	38	7.99	
SCHR40MM	40	9.86	
SCHR45MM	45	12.48	
SCHR50MM	50	15.41	
SCHR55MM	55	18.64	
SCHR60MM	60	22.18	
SCHR65MM	65	26.03	
SCHR70MM	70	30.19	
SCHR80MM	80	39.44	
SCHR90MM	90	49.91	
SCHR100MM	100	61.62	
SCHR 7/8" (22.23mm)	22,23	3.04	
SCHR 3/4" (19.05mm)	19,05	2.24	
SCHR 1" (25.4mm)	25.4	3.98	
SCHR 1 1/16" (26.98mm)	26,98	4.57	
SCHR 1/14" (31.75mm)	17,5	6.21	
SCHR 1/12" (38.1mm)	38,1	8.94	
SCHR 1/34" (44.45mm)	44,5	12.17	
SCHR 2" (50.8mm)	50,8	15.90	
SCHR 3" (76.2mm)	76,2	35.78	

Note: If material has been cut to ordered size, the order will not be accepted back for credit or cancellation. COD ORDERS will only be cut once payment has been received.

## Cylinder Components

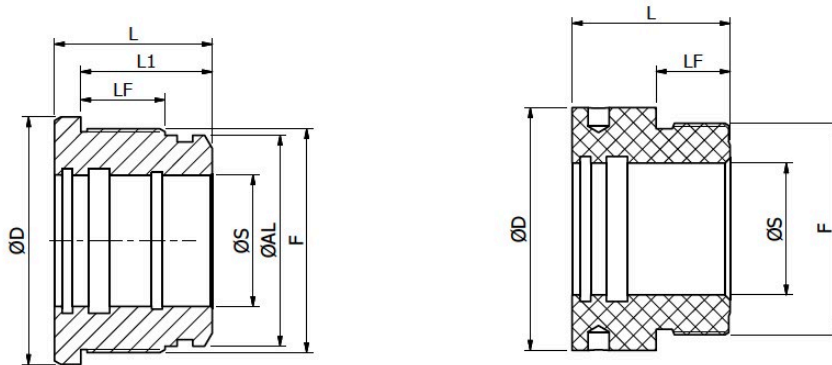
chrome rod induction hardened 45 2Cr13



Part number	Diametre	Weight kg/m	Retail price R (per meter)
CHR16MM	16	1.58	
CHR20MM	20	2.46	
CHR22MM	22	2.98	
CHR25MM	25	3.85	
CHR30MM	30	5.55	
CHR32MM	32	6.31	
CHR35MM	35	7.55	
CHR36MM	36	7.99	
CHR38MM	38	7.99	
CHR40MM	40	9.86	
CHR45MM	45	12.48	
CHR50MM	50	15.41	
CHR55MM	55	18.64	
CHR56MM	56	19.32	
CHR60MM	60	22.18	
CHR65MM	65	26.03	
CHR70MM	70	30.19	
CHR75MM	75	34.66	
CHR80MM	80	39.44	
CHR85MM	85	44.52	
CHR90MM	90	49.91	
CHR95MM	95	55.61	
CHR98MM	98	59.22	
CHR100MM	100	61.62	
CH105MM	105	67.94	
CHR115MM	115	81.49	
CHR120MM	120	88.73	
CHR 3/4" (19.05mm)	19.05	2.24	
CHR 1" (25.4mm)	25.4	3.98	
CHR 1 1/16" (26.98mm)	26,98	4.57	
CHR 1 1/4" (31.75mm)	17,5	6.21	
CHR 1 3/8" (34.92mm)	34.925	7.52	
CHR 1 1/2" (38.1mm)	38,1	8.94	
CHR 1 3/4" (44.45mm)	44.45	12.17	
CHR 2" (50.8mm)	50.8	15.90	
CHR 2 1/4" (57.15mm)	57.15	20.13	
CHR 2 1/2" (63.5mm)	63.5	24.85	
CHR 3" (76.2mm)	76.2	35.78	
CHR 3 1/4" (82,55mm)	82.55	41.99	

## Cylinder Components

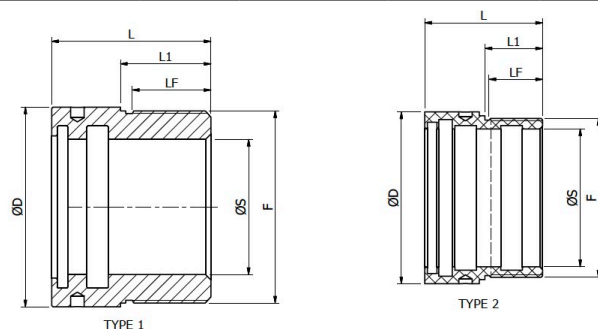
### head-bush/glands for double acting cylinder



Part number	Dimensions							Retail price R
	Bore	Rod	Ø D	F	LF	L1	L	
CONGLAND 40X20	40	20	49	M44x1.5	19	32	40	
CONGLAND 40X25	40	25	49	M44x1.5	19	32	40	
CONGLAND 50X25	50	25	59	M54x1.5	22	35	43	
CONGLAND 50X30	50	30	59	M54x1.5	22	35	43	
CONGLAND 60X30	60	30	69	M64x1.5	27	40	50	
CONGLAND 60X35	60	35	69	M64x1.5	27	40	50	
CONGLAND 63X35	63	35	73	M68x1.5	25	40	50	
CONGLAND 63X40	63	40	73	M68x1.5	25	40	50	
CONGLAND 70X40	70	40	79	M74x1.5	27	40	50	
CONGLAND 70X45	70	45	79	M74x1.5	27	40	50	
CONGLAND 80X40	80	40	94	M85x2	33	50	60	
CONGLAND 80X50	80	50	94	M85x2	33	50	60	
CONGLAND 85X50	85	50	99	M90x2	33	50	60	
CONGLAND 90X45	90	45	104	M95x2	33	50	60	
CONGLAND 90X50	90	50	104	M95x2	33	50	60	
CONGLAND 95X45	95	45	109	M100x2	33	50	60	
CONGLAND 100X50	100	50	114	M105x2	51	70	82	
CONGLAND 100X60	100	60	114	M105x2	51	70	82	
CONGLAND 100X70	100	70	114	M105x2	51	70	82	
CONGLAND 125X60	125	60	144	M130x2	59	80	92	
CONGLAND 125X70	125	70	144	M130x2	59	80	92	
CONGLAND 150X80	150	80	169	M155x2	69	90	102	
CONGLAND 160X80	160	80	179	M165x2	69	90	102	
CONGLAND 160X90	160	90	179	M165x2	69	90	102	
CONGLAND 180X100	180	100	210	M188x2.5	58	92	110	
CONGLAND 180X120	180	120	210	M188x2.5	58	92	110	

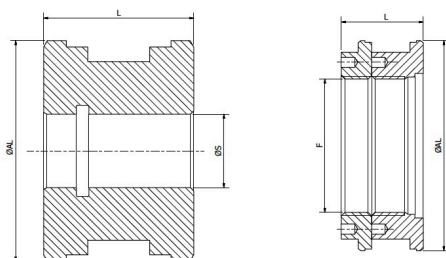
## Cylinder Components

### head-bush glands for single acting cylinder



Part number	Dimensions							Retail price R
	Bore	Rod	ØD	F	LF	L1	L	
CONGLANDSA 50X40	50	40	59	54x1.5	22	35	70	
CONGLANDSA 60X50	60	50	69	64x1.5	22	40	75	
CONGLANDSA 70X60	70	60	79	74x1.5	27	40	75	
CONGLANDSA 85X70	85	70	100	90x2	30	30	90	
CONGLANDSA 90X80	90	80	107	96x2	40	40	95	
CONGLANDSA 120X100	120	100	138,5	124x2	42	42	157	

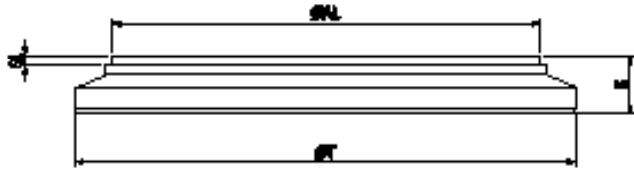
### pistons



Part number	Bore	Spigot	L	Retail price R
CONPISTON40X15	40	15	40	
CONPISTON50X20	50	20	40	
CONPISTON60X20	60	20	50	
CONPISTON60X24	60	24	45	
CONPISTON63X20	63	20	50	
CONPISTON63X24	63	24	45	
CONPISTON70X24	70	24	45	
CONPISTON70X27	70	27	50	
CONPISTON80X24	80	24	45	
CONPISTON80X27	80	27	50	
CONPISTON85X27	85	27	50	
CONPISTON90X27	90	27	50	
CONPISTON90X33	90	33	50	
CONPISTON100X27	100	27	50	
CONPISTON100X33	100	33	50	
CONPISTON125X40	125	40	58	
CONPISTON150X40	150	40	58	
CONPISTON160X51	160	51	58	
CONPISTON180X80	180	80	82	

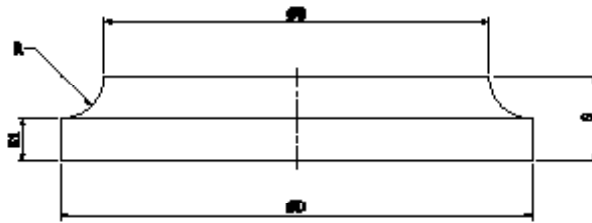
# Cylinder Components

## end cap



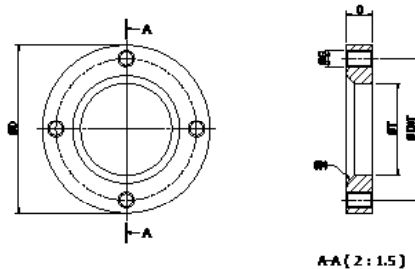
Part number	Bore	ØT	S	S1	Retail price R
CONENDCAP40	40	50	10	2	
CONENDCAP50	50	60	10	2	
CONENDCAP60	60	70	12	2	
CONENDCAP63	63	73	12	2	
CONENDCAP70	70	80	12	2	
CONENDCAP80	80	95	12	2	
CONENDCAP85	85	100	15	2	
CONENDCAP90	90	105	15	2	
CONENDCAP100	100	115	15	2	
CONENDCAP125	125	145	18	2	
CONENDCAP150	150	170	20	2	
CONENDCAP160	160	180	20	2	

## internal end cap



Part number	Bore	ØD	ØB	S	S1	R	Retail price R
CONENDCAPINT40	40	41	27	12	5	7	
CONENDCAPINT50	50	51	37	12	5	7	
CONENDCAPINT60	60	61	45	15	7	8	
CONENDCAPINT70	70	71	56	15	7,5	7,5	
CONENDCAPINT80	80	81	65	17	9	8	
CONENDCAPINT100	100	101	81	20	10	10	

## flange



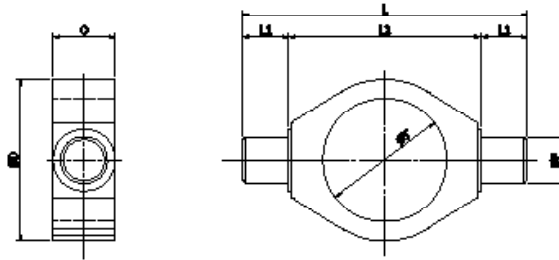
A-A (2:1.5)

Part number	ØT	ØD	0	Ø INT	Ø G	SM	Retail price R
CONFLA50	50	109	12,5	87	4 x Ø11	4 x 45°	
CONFLA60	60	128	14,5	105	4 x Ø13	4 x 45°	
CONFLA70	70	142	16,5	117	4 x Ø13	5 x 45°	
CONFLA80	80	162	16,5	127	4 x Ø15	5 x 45°	
CONFLA95	95	181	18,5	149	6 x Ø17	7 x 45°	
CONFLA115	115	194	24,5	162	6 x Ø17	8 x 45°	



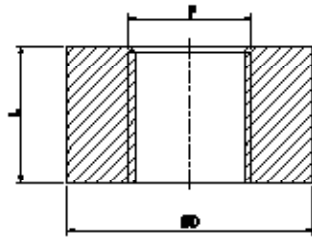
# Cylinder Components

## trunnion



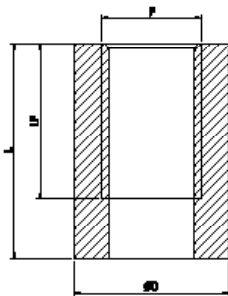
Part number	L2	L1	L	Ø P	Ø T	Ø D	O	Retail price R
CONRUN50	70	20	110	20	50	65	30	
CONRUN60	80	25	130	25	60	75	35	
CONRUN70	100	30	160	30	70	90	45	
CONRUN80	110	35	180	35	80	100	50	
CONRUN92	115	40	195	40	92	115	55	
CONRUN95	115	40	195	40	95	115	55	
CONRUN105	125	45	215	45	105	125	60	
CONRUN115	145	50	245	50	115	145	70	
CONRUN140	170	60	290	60	140	170	80	

## threaded port



Part number	F	L	Ø D	Retail price R
CONSOC04FR	1/4	16	22	
CONSOC06FR	3/8	17	26	
CONSOC08FR	1/2	18	30	
CONSOC12FR	3/4	20	38	
CONSOC16FR	1	25	45	

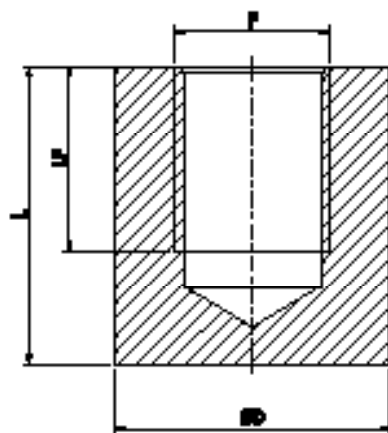
## high threaded port



Part number	F	LF	L	Ø D	Retail price R
CONSOCHTR04FR	1/4	27	40	22	
CONSOCHTR06FR	3/8	28	42	26	
CONSOCHTR08FR	1/2	33	48	30	

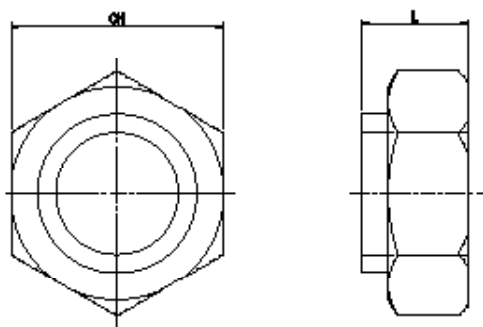
## Cylinder Components

### blind threaded port



Part number	F	LF	L	Ø D	Retail price R
CONSOCBL04FR	1/4	13	30	22	
CONSOCBL06FR	3/8	20	35	26	
CONSOCBL08FR	1/2	22	35	30	


### locknuts



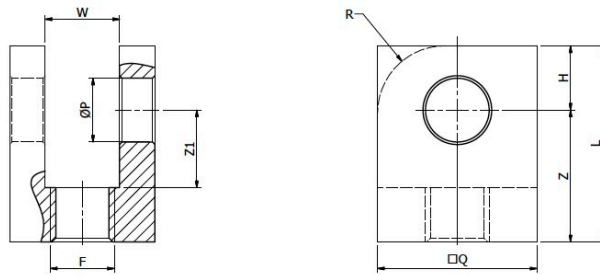
Part number	Thread	CH	L	Price price R
CONLNM12X15	12x1.5	19	14	
CONLNM14X15	14x1.5	22	16	
CONLNM20X15	20x1.5	30	23	
CONLNM24X2	24x2	36	27	
CONLNM27X2	27x2	41	30	
CONLNM33X2	33x2	50	35	
CONLNM39X3	39x3	60	42	
CONLNM48X3	48x3	75	49	
CONLNM20X15	20x1.5	30	18	
CONLNM24X2	24x2	36	21	
CONLNM27X2	27x2	41	23	

# Cylinder Components

## seal kit

	Part number	L	Retail price R
	CONSKT0040020	40 / 20	
	CONSKT0040025	40 / 25	
	CONSKT0045030	45 / 30	
	CONSKT0050025	50 / 25	
	CONSKT0050030	50 / 30	
	CONSKT0060030	60 / 30	
	CONSKT0060035	60 / 35	
	CONSKT0063035	63 / 35	
	CONSKT0063040	63 / 40	
	CONSKT0070040	70 / 40	
	CONSKT0075045	75 / 45	
	CONSKT0080040	80 / 40	
	CONSKT0080050	80 / 50	
	CONSKT0085050	85 / 50	
	CONSKT0090045	90 / 45	
	CONSKT0090050	90 / 50	
	CONSKT0100050	100 / 50	
	CONSKT0100060	100 / 60	
	CONSKT0100070	100 / 70	
	CONSKT0125060	125 / 60	
CONSKT0125070	125 / 70		
CONSKT0150080	150 / 80		
CONSKT0160080	160 / 80		
CONSKT0160090	160 / 90		
CONSKT01800100	180 / 100		
CONSKT01800120	180 / 120		

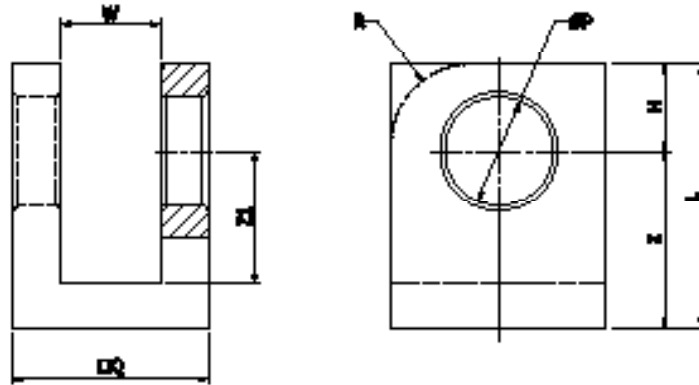
## threaded fork clevis



Part number	ØP	L	Z	Z1	H	Q	W	R	F	Retail price R
CONFCLM16X15	16,20	55	39	24	16	35	16		M16X1.5	
CONFCLM20X15	20,25	65	45	30	20	40	20		M20X1.5	
CONFCLM24X2	25,25	75	50	30	25	50	25		M24X2	
CONFCLM30X2	30,25	95	65	35	30	60	30	30	M30X2	
CONFCLM33X2	35,25	110	75	40	35	70	35	35	M33X2	

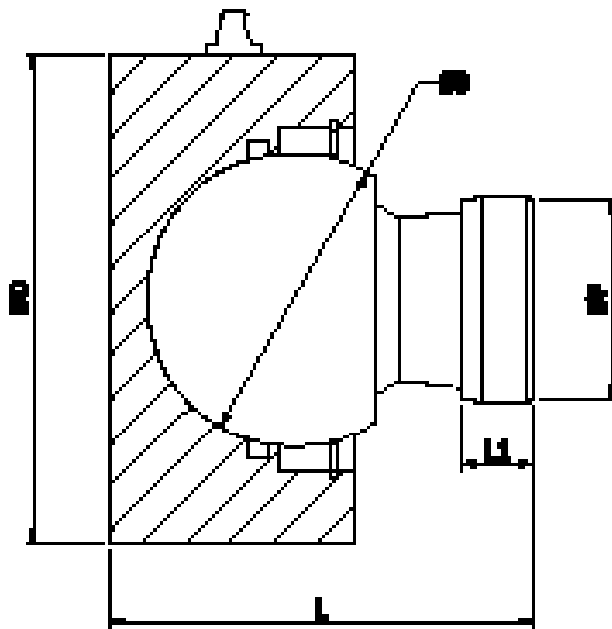
## Clevises

### weldable fork



Part number	ØP	L	Z	Z1	H	Q	W	R	Retail price R
CONWFCL16P	16,20	50	34	24	16	35	16		
CONWFCL20P	20,25	60	40	30	20	40	20		
CONWFCL25P	25,25	70	45	30	25	50	25		
CONWFCL30P	30,25	80	50	35	30	60	30	30	
CONWFCL35P	35,25	90	55	40	35	70	35	35	

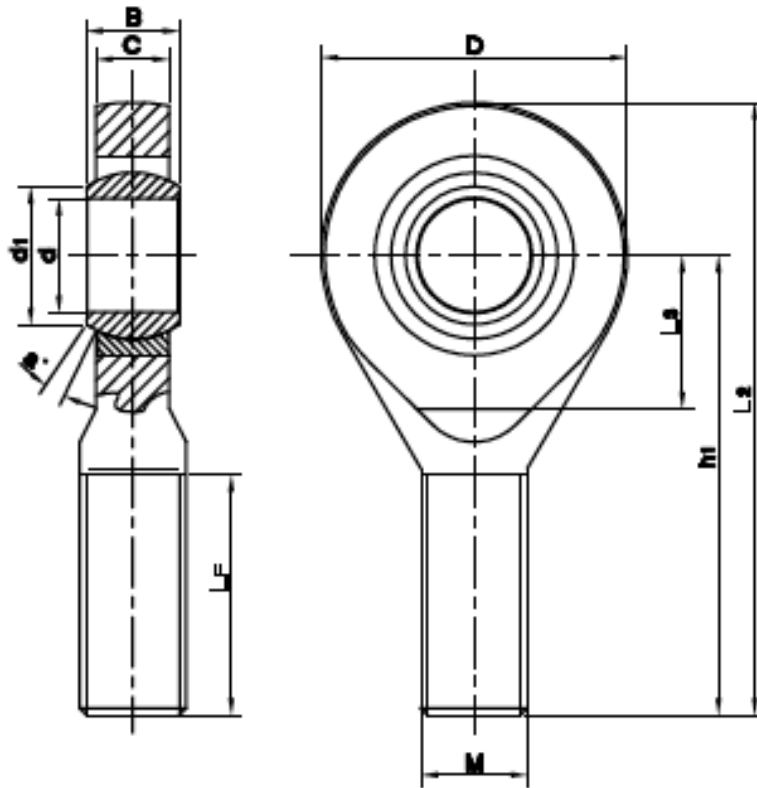
### swinging end



Part number	ØB	ØP	ØD	L	L1	Retail price R
CONSECL40ROD	50	40	85	82	20	
CONSECL50ROD	60	50	98	100	25	
CONSECL60ROD	70	60	105	115	30	

# Clevises

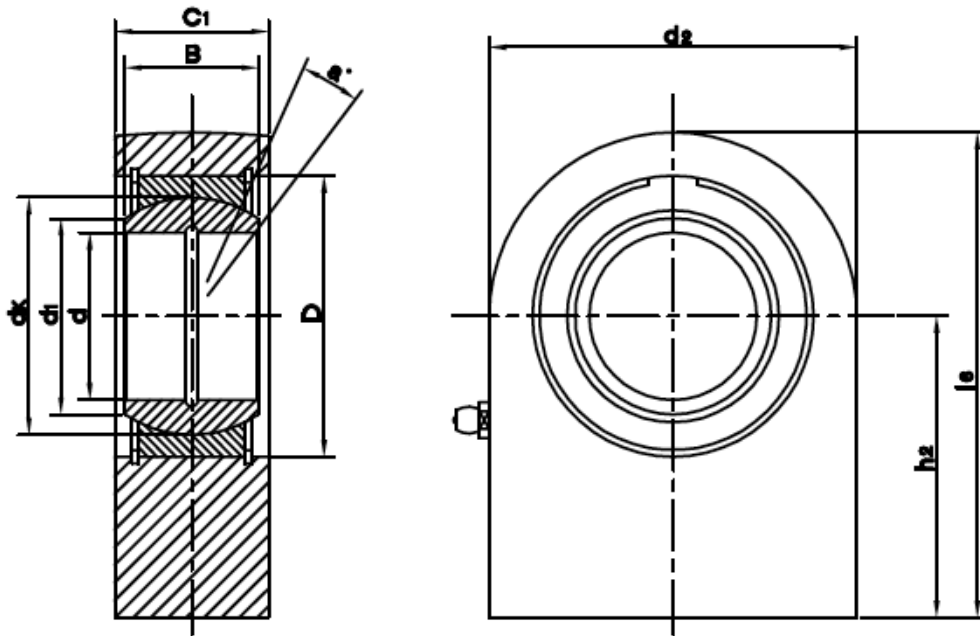
## clevises GAR Series



Part number	Dimensions										Retail price R
	d	B	d1	H1	D	C	L2	L3	LF	M	
GAR6UK	6	6	8	36	21	4.4	46.5	12	18	M6X1	
GAR8UK	8	8	10.2	42	24	6	54	14	22	M8X1.25	
GAR10UK	10	9	13.2	48	29	7	62.5	15	27	M10X1.5	
GAR12UK	12	10	15	54	34	8	71	18	30	M12X1.75	
GAR15UK	15	12	18.4	63	40	10	83	20	34	M14X2	
GAR17UK	17	14	20.7	69	46	11	92	23	36	M16X2	
GAR20UK	20	16	24.1	78	53	13	104.5	27	43	M20X1.5	
GAR25UK	25	20	29.3	94	64	17	126	33	53	M24X2	
GAR30UK	30	22	34.2	110	73	19	146.5	37	65	M30X2	
GAR35UK	35	25	39.7	140	82	21	181	42	82	M36X3	
GAR40UK	40	28	45	150	92	23	196	48	86	M39X3	
GAR45UK	45	32	50.7	163	102	27	214	52	94	M42X3	
GAR50UK	50	35	56	185	112	30	241	60	106	M45X3	
GAR60UK	60	44	66.8	210	135	38	277.5	75	115	M52X3	
GAR70UK	70	49	77.8	235	160	42	315	87	125	M56X4	
GAR80UK	80	55	89.4	270	180	47	360	100	140	M64X4	

# Clevises

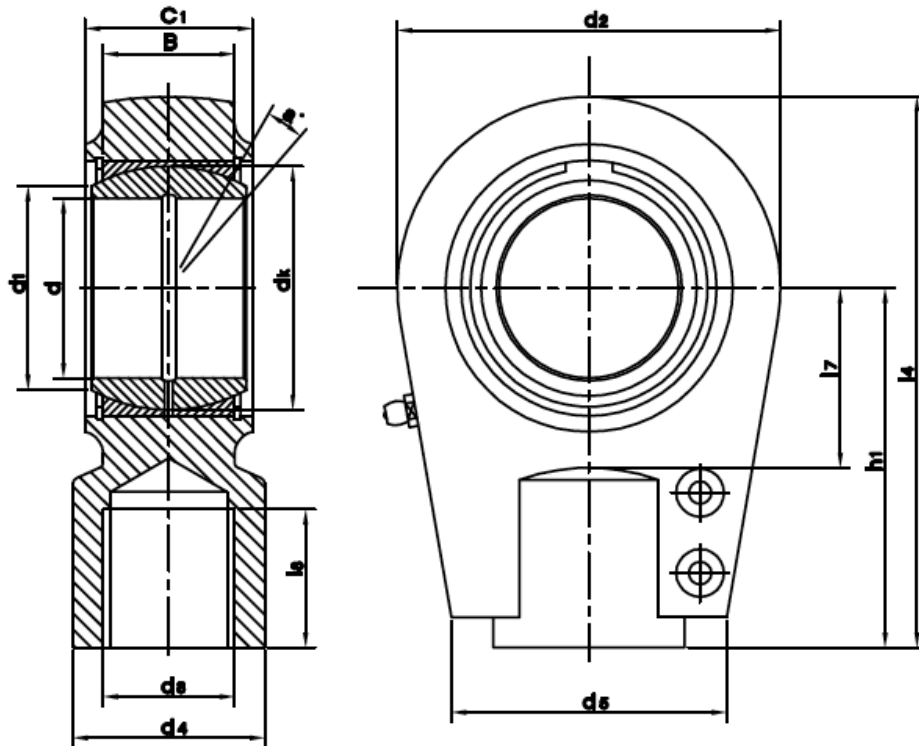
## clevises GF Series



Part number	Dimensions										Retail price R
	d	D	B	C1 nominal	C1 max	h2	d2	I6	d <sub>k</sub>	d <sub>1</sub>	
GF 20 D0	20	35	16	19	20	38	50	63.0	29	24.1	
GF 25 D0	25	42	20	23	24	45	55	72.5	35.5	29.3	
GF 30 D0	30	47	22	28	29	51	65	83.5	40.7	34.2	
GF 35 D0	35	55	25	30	31	61	83	102.5	47	39.7	
GF 40 D0	40	62	28	35	36.5	69	100	119.0	53	45	
GF 45 D0	45	68	32	40	41.5	77	110	132.0	60	50.7	
GF 50 D0	50	75	35	40	41.5	88	123	149.5	66	55.9	
GF 60 D0	60	95	44	50	52.5	100	140	170.0	80	66.8	
GF 70 D0	70	105	49	55	58	115	164	197.0	92	77.8	
GF 80 D0	80	120	55	60	63	141	180	231.0	105	89.4	
GF 90 D0	90	130	60	65	69	150	226	263.0	115	98.1	
GF 100 D0	100	150	70	70	74	170	250	295.0	130	109.5	
GF 110 D0	110	160	70	80	85	185	295	332.5	140	121.2	
GF 120 D0	120	180	85	90	95	210	360	390.0	160	135.5	

# Clevises

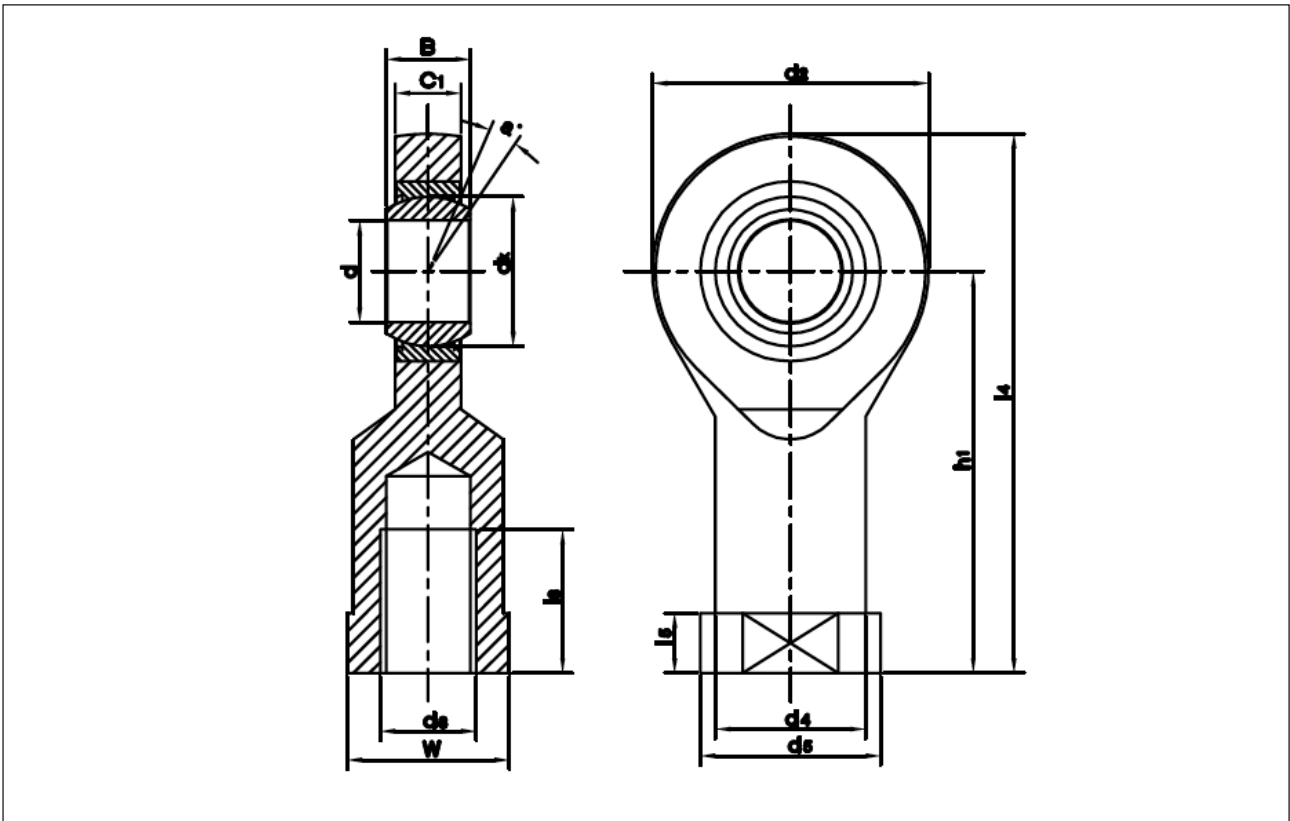
## clevises GIHR-K Series



Part number	Dimensions														MA	Retail price R
	d	D	B	h1	d2	d5	c1	L4	L7	d4	L3	d3	Cr	Cor		
GIHR-K 20D0	20	35	16	50	56	41	19	78.0	25	25	17	M16X1.5	30	81.1	M6x16	
GIHR-K 25D0	25	42	20	50	56	41	23	78.0	25	25	17	M16X1.5	48	65.4	M6x20	
GIHR-K 30D0	30	47	22	60	64	46	28	92.0	30	32	23	M22X1.5	62	96.7	M6x25	
GIHR-K 35D0	35	55	25	70	78	58	30	109.0	38	40	29	M28X1.5	80	140	M8x25	
GIHR-K 40D0	40	62	28	85	94	66	35	132.0	45	49	36	M35X1.5	100	227	M8x30	
GIHR-K 50D0	50	75	35	105	116	88	40	163.0	55	61	46	M45X1.5	156	333	M10x35	
GIHR-K 60D0	60	90	44	130	130	90	50	200	65	75	59	M58X1.5	245	326	M10x45	
GIHR-K 70D0	70	105	49	150	150	100	55	232.0	75	86	66	M65X1.5	315	440	M12x50	
GIHR-K 80D0	80	120	55	170	176	125	60	265.0	80	102	81	M80X2	400	550	M16x50	
GIHR-K 90D0	90	130	60	210	206	146	65	232.0	90	124	101	M100X2	490	810	M16x60	
GIHR-K 100D0	100	150	70	235	230	166	70	360.0	105	138	111	M110X2	610	920	M20x60	
GIHR-K 110D0	110	160	70	265	265	190	80	407.5	115	152	125	M120X3	655	1382	M20x70	
GIHR-K 120D0	120	180	85	310	340	217	90	490.0	140	172	135	M130X3	950	2373	M24x80	

# Clevises

## clevises GIR Series

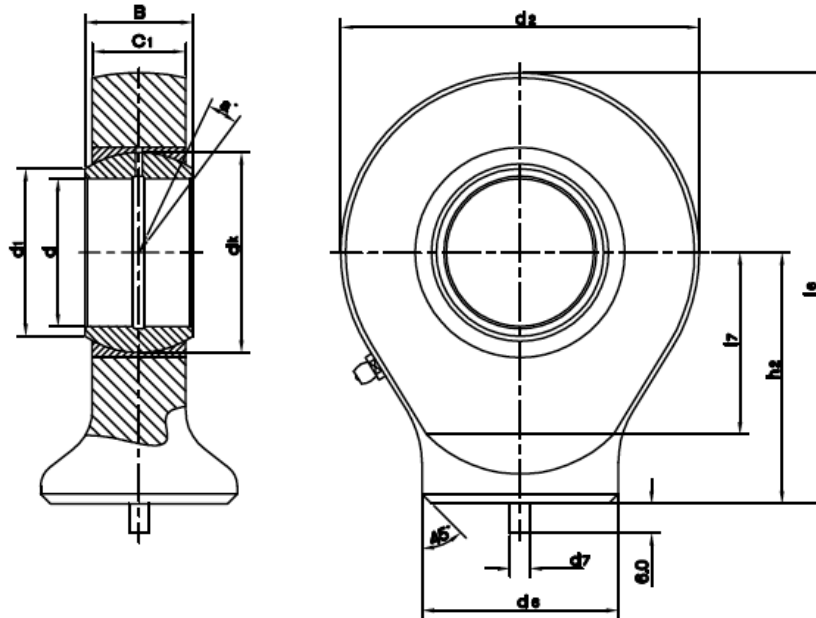


Part number	Dimensions														Retail price R
	d	B	D3	H1	d2	D5	d4	W	I5	C1	I4	dk	I3	d3	
GIR6D0	6	6	8	30	21	13	10	11	5	4.4	40.5	12	11	M6x1	
GIR8D0	8	8	10.2	36	24	16	12.5	14	5	6	48	14	15	M8x1.25	
GIR10D0	10	9	13.2	43	29	19	15	17	6.5	7	57.5	15	20	M10x1.5	
GIR12D0	12	10	15	50	34	22	17.5	19	6.5	8	67	18	24	M12x1.75	
GIR15D0	15	12	18.4	61	40	26	21	22	8	10	81	20	30	M14x2	
GIR17D0	17	14	20.7	67	46	30	24	27	10	11	90	23	34	M16x2	
GIR20D0	20	16	24.1	77	53	35	27.5	32	10	13	103.5	27	40	M20x1.5	
GIR25D0	25	20	29.3	94	64	42	33.5	36	12	17	126	32	48	M24x2	
GIR30D0	30	22	34.2	110	73	50	40	41	15	19	146.5	37	56	M30x2	
GIR35D0	35	25	39.7	125	82	58	47	50	15	21	166	42	60	M36x3	
GIR40D0	40	28	45	142	92	65	56	56	18	23	188	48	67	M39x3	
GIR45D0	45	32	50.7	145	102	70	62	62	20	27	196	52	65	M42x3	
GIR50D0	50	35	56	160	112	75	68	68	20	30	216	60	69	M45x3	
GIR60D0	60	44	66.8	175	135	88	78	78	20	38	242	75	73	M52x3	
GIR70D0	70	49	77.8	200	160	98	85	85	20	42	280	87	80	M56x4	
GIR80D0	80	55	89.4	230	180	110	102	102	25	47	320	100	85	M64x4	



# Clevises

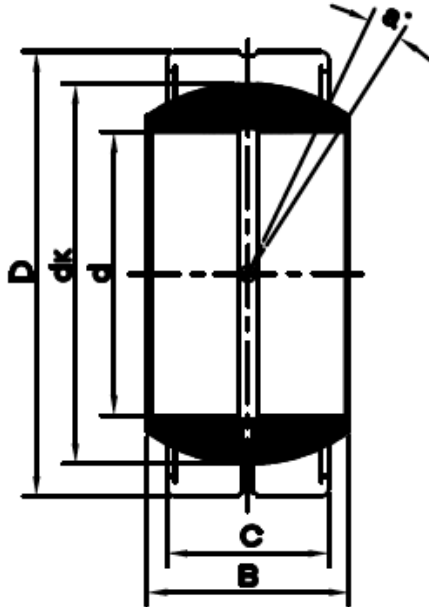
## clevises GK Series



Part number	Dimensions											Retail price R
	d	B	h1	d6	d2	C1	L4	L7	L2	d7	Cr	
GK 10 D0	10	9	24	15	29	7	38.5	15	2.0	3	8.15	15.6
GK 12 D0	12	10	27	17.5	34	8	44.0	18	2.0	3	10.80	21.6
GK 15 D0	15	12	31	21	40	10	51.0	20	2.5	4	17.00	32.0
GK 16 D0	16	14	35	24	46	11	58.0	23	3.0	4	19.00	36.0
GK 17 D0	17	14	35	24	46	11	58.0	23	3.0	4	21.20	40.0
GK 20 D0	20	16	38	27.5	53	13	64.5	27	3.0	4	30.00	54.0
GK 25 D0	25	20	45	33.5	64	17	77.0	32	4.0	4	48.00	72.0
GK 30 D0	30	22	51	40	73	19	87.5	37	4.0	4	62.00	95.0
GK 35 D0	35	25	61	47	82	21	102.0	42	4.0	4	80.00	125.0
GK 40 D0	40	28	69	52	92	23	115.0	48	5.0	4	100.00	156.0
GK 45 D0	45	32	77	58	102	27	128.0	52	5.0	6	127.00	208.0
GK 50 D0	50	35	88	62	112	30	144.0	60	6.0	6	156.00	250.0
GK 60 D0	60	44	100	70	135	38	167.5	75	8.0	6	245.00	390.0
GK 70 D0	70	49	115	80	160	42	195.0	87	10.0	6	315.00	510.0
GK 80 D0	80	55	141	95	180	47	231.0	100	10.0	6	400.00	620.0

# Spherical Bearings

## GE Series



Part number	Dimensions							Landing Rating			Retail price R
	d	D	B	C	dk	rs min	ris min	$\alpha^\circ$ $\approx$	c	$c^\circ$	
GE15ES-2RS	15	26	12	9	22	0.3	0.3	8	17.0	85.0	
GE17ES-2RS	17	30	14	10	25	0.3	0.3	10	21.2	106	
GE20ES-2RS	20	35	16	12	29	0.6	0.6	9	30.0	146	
GE25ES-2RS	25	42	20	16	35.5	0.6	0.6	7	48.0	240	
GE30ES-2RS	30	47	22	18	40.7	0.6	0.6	6	62.0	310	
GE35ES-2RS	35	55	25	20	47	0.6	0.6	6	80.0	400	
GE40ES-2RS	40	62	28	22	53	0.6	0.6	7	100	500	
GE45ES-2RS	45	68	32	25	60	0.6	0.6	7	127	640	
GE50ES-2RS	50	75	35	28	66	0.6	0.6	6	156	780	
GE60ES-2RS	60	90	44	36	80	1.0	1.0	6	245	1220	
GE70ES-2RS	70	105	49	40	92	1.0	1.0	6	315	1560	
GE80ES-2RS	80	120	55	45	105	1.0	1.0	6	400	2000	
GE90ES-2RS	90	130	60	50	115	1.0	1.0	5	490	2450	
GE100ES-2RS	100	150	70	55	130	1.0	1.0	7	610	3050	
GE110ES-2RS	110	160	70	55	140	1.0	1.0	6	655	3250	
GE120ES-2RS	120	180	85	70	160	1.0	1.0	6	950	4750	
GE140ES-2RS	140	210	90	70	180	1.0	1.0	7	1080	5400	
GE160ES-2RS	160	230	105	80	200	1.0	1.0	8	1360	6800	

# Cylinder Kits

## cylinder kits

Part Number: CON-CYLKIT40X20			
Item No	Qty	Part No	Description
1	1	CONGLAND40X20	GLAND
2	1	CONPISTON40X15	PISTON
3	1	CONENDCAP40	END CAP
4	2	CONSOC04FR	PORTS (SOCKETS)
5	1	CONLNM14X15	LOCKNUT
6	1	CONSKT40X20	SEAL KIT
Selling Price			

Part Number: CON-CYLKIT40X25			
Item No	Qty	Part No	Description
1	1	CONGLAND40X25	GLAND
2	1	CONPISTON40X15	PISTON
3	1	CONENDCAP40	END CAP
4	2	CONSOC04FR	PORTS (SOCKETS)
5	1	CONLNM14X15	LOCKNUT
6	1	CONSKT40X25	SEAL KIT
Selling Price			

Part Number: CON-CYLKIT50X25			
Item No	Qty	Part No	Description
1	1	CONGLAND50X25	GLAND
2	1	CONPISTON50X20	PISTON
3	1	CONENDCAP50	END CAP
4	2	CONSOC06FR	PORTS (SOCKETS)
5	1	CONLNM20X15	LOCKNUT
6	1	CONSKT50X25	SEAL KIT
Selling Price			

Part Number: CON-CYLKIT50X30			
Item No	Qty	Part No	Description
1	1	CONGLAND50X30	GLAND
2	1	CONPISTON50X20	PISTON
3	1	CONENDCAP50	END CAP
4	2	CONSOC06FR	PORTS (SOCKETS)
5	1	CONLNM20X1.5	LOCKNUT
6	1	CONSKT50X30	SEAL KIT
Selling Price			

Part Number: CON-CYLKIT60X30			
Item No	Qty	Part No	Description
1	1	CONGLAND60X30	GLAND
2	1	CONPISTON60X20	PISTON
3	1	CONENDCAP60	END CAP
4	2	CONSOC06FR	PORTS (SOCKETS)
5	1	CONLNM20X1.5	LOCKNUT
6	1	CONSKT60X30	SEAL KIT
Selling Price			

Part Number: CON-CYLKIT60X35			
Item No	Qty	Part No	Description
1	1	CONGLAND60X35	GLAND
2	1	CONPISTON60X24	PISTON
3	1	CONENDCAP60	END CAP
4	2	CONSOC06FR	PORTS (SOCKETS)
5	1	CONLNM24X2	LOCKNUT
6	1	CONSKT60X35	SEAL KIT
Selling Price			

Part Number: CON-CYLKIT63X35			
Item No	Qty	Part No	Description
1	1	CONGLAND63X35	GLAND
2	1	CONPISTON63X20	PISTON
3	1	CONENDCAP63	END CAP
4	2	CONSOC06FR	PORTS (SOCKETS)
5	1	CONLNM20X15	LOCKNUT
6	1	CONSKT63X35	SEAL KIT
Selling Price			

Part Number: CON-CYLKIT63X40			
Item No	Qty	Part No	Description
1	1	CONGLAND63X40	GLAND
2	1	CONPISTON63X24	PISTON
3	1	CONENDCAP63	END CAP
4	2	CONSOC06FR	PORTS (SOCKETS)
5	1	CONLNM24X2	LOCKNUT
6	1	CONSKT63X40	SEAL KIT
Selling Price			

NB: if different size ports/sockets required, please specify when ordering.

# Cylinder Kits

## cylinder kits

Part Number: CON-CYLKIT70X40			
Item No	Qty	Part No	Description
1	1	CONGLAND70X40	GLAND
2	1	CONPISTON70X24	PISTON
3	1	CONENDCAP70	END CAP
4	2	CONSOC06FR	PORTS (SOCKETS)
5	1	CONLNM24X2	LOCKNUT
6	1	CONSKT70X40	SEAL KIT
Selling Price			

Part Number: CON-CYLKIT70X45			
Item No	Qty	Part No	Description
1	1	CONGLAND70X45	GLAND
2	1	CONPISTON70X27	PISTON
3	1	CONENDCAP70	END CAP
4	2	CONSOC06FR	PORTS/ SOCKETS
5	1	CONLNM27X2	LOCKNUT
6	1	CONSKT70X45	SEAL KIT
Selling Price			

Part Number: CON-CYLKIT80X40			
Item No	Qty	Part No	Description
1	1	CONGLAND80X40	GLAND
2	1	CONPISTON80X24	PISTON
3	1	CONENDCAP80	END CAP
4	2	CONSOC08FR	PORTS (SOCKETS)
5	1	CONLNM24X2	LOCKNUT
6	1	CONSKT80X40	SEAL KIT
CAN ALSO USE PISTON 80X27			
Selling Price			

Part Number: CON-CYLKIT80X50			
Item No	Qty	Part No	Description
1	1	CONGLAND80X50	GLAND
2	1	CONPISTON80X27	PISTON
3	1	CONENDCAP80	END CAP
4	2	CONSOC08FR	PORTS (SOCKETS)
5	1	CONLNM27X2	LOCKNUT
6	1	CONSKT80X50	SEAL KIT
CAN ALSO USE PISTON 80X24			
Selling Price			

Part Number: CON-CYLKIT90X45			
Item No	Qty	Part No	Description
1	1	CONGLAND90X45	GLAND
2	1	CONPISTON90X27	PISTON
3	1	CONENDCAP90	END CAP
4	2	CONSOC08FR	PORTS (SOCKETS)
5	1	CONLNM27X2	LOCKNUT
6	1	CONSKT90X45	SEAL KIT
Selling Price			

Part Number: CON-CYLKIT90X50			
Item No	Qty	Part No	Description
1	1	CONGLAND90X50	GLAND
2	1	CONPISTON90X33	PISTON
3	1	CONENDCAP90	END CAP
4	2	CONSOC08FR	PORTS/ SOCKETS
5	1	CONLNM33X2	LOCKNUT
6	1	CONSKT90X50	SEAL KIT
Selling Price			

Part Number: CON-CYLKIT100X50			
Item No	Qty	Part No	Description
1	1	CONGLAND100X50	GLAND
2	1	CONPISTON100X27	PISTON
3	1	CONENDCAP100	END CAP
4	2	CONSOC08FR	PORTS/ SOCKETS
5	1	CONLNM27X2	LOCKNUT
6	1	CONSKT100X50	SEAL KIT
Selling Price			

Part Number: CON-CYLKIT100X60			
Item No	Qty	Part No	Description
1	1	CONGLAND100X60	GLAND
2	1	CONPISTON100X27	PISTON
3	1	CONENDCAP100	END CAP
4	2	CONSOC08FR	PORTS/ SOCKETS
5	1	CONLNM27X2	LOCKNUT
6	1	CONSKT100X60	SEAL KIT
Selling Price			

NB: if different size ports/sockets required, please specify when ordering.

# Cylinder Kits

## cylinder kits

Part Number: CON-CYLKIT100X70			
Item No	Qty	Part No	Description
1	1	CONGLAND100X70	GLAND
2	1	CONPISTON100X33	PISTON
3	1	CONENDCAP100	END CAP
4	2	CONSOC08FR	PORTS/ SOCKETS
5	1	CONLNM33X2	LOCKNUT
6	1	CONSKT100X70	SEAL KIT
Selling Price			

Part Number: CON-CYLKIT125X60			
Item No	Qty	Part No	Description
1	1	CONGLAND125X60	GLAND
2	1	CONPISTON125X40	PISTON
3	1	CONENDCAP125	END CAP
4	2	CONSOC08FR	PORTS/ SOCKETS
5	1	CONLNM39X3	LOCKNUT
6	1	CONSKT125X60	SEAL KIT
Selling Price			

Part Number: CON-CYLKIT125X70			
Item No	Qty	Part No	Description
1	1	CONGLAND125X70	GLAND
2	1	CONPISTON125X40	PISTON
3	1	CONENDCAP125	END CAP
4	2	CONSOC08FR	PORTS/ SOCKETS
5	1	CONLNM39X3	LOCKNUT
6	1	CONSKT125X70	SEAL KIT
Selling Price			

Part Number: CON-CYLKIT150X80			
Item No	Qty	Part No	Description
1	1	CONGLAND150X80	GLAND
2	1	CONPISTON150X40	PISTON
3	1	CONENDCAP150	END CAP
4	2	CONSOC12FR	PORTS/ SOCKETS
5	1	CONLNM39X3	LOCKNUT
6	1	CONSKT150X80	SEAL KIT
Selling Price			

Part Number: CON-CYLKIT160X80			
Item No	Qty	Part No	Description
1	1	CONGLAND160X80	GLAND
2	1	CONPISTON160X51	PISTON
3	1	CONENDCAP160	END CAP
4	2	CONSOC12FR	PORTS/ SOCKETS
5	1	CONLNM48X3	LOCKNUT
6	1	CONSKT160X80	SEAL KIT
Selling Price			

Part Number: CON-CYLKIT160X90			
Item No	Qty	Part No	Description
1	1	CONGLAND160X90	GLAND
2	1	CONPISTON160X51	PISTON
3	1	CONENDCAP160	END CAP
4	2	CONSOC12FR	PORTS/ SOCKETS
5	1	CONLNM48X3	LOCKNUT
6	1	CONSKT160X90	SEAL KIT
Selling Price			

Part Number: CON-CYLKIT180X100			
Item No	Qty	Part No	Description
1	1	CONGLAND180X100	GLAND
2	1	CONPISTON180X80	PISTON
3	1	CONENDCAP180	END CAP
4	2	CONSOC12FR	PORTS/ SOCKETS
5	1	CONLNM48X3	LOCKNUT
6	1	CONSKT180X100	SEAL KIT
Selling Price			

Part Number: CON-CYLKIT180X120			
Item No	Qty	Part No	Description
1	1	CONGLAND180X120	GLAND
2	1	CONPISTON180X80	PISTON
3	1	CONENDCAP180	END CAP
4	2	CONSOC12FR	PORTS/ SOCKETS
5	1	CONLNM48X3	LOCKNUT
6	1	CONSKT180X120	SEAL KIT
Selling Price			

NB: if different size ports/sockets required, please specify when ordering.

## Tie Rod Hydraulic Cylinders



### 2" bore

Part number	Bore Inch (mm)	Stroke		Shaft		Retracted length		Ports	Pin Dia		Weight (kgs)	Retail price R
		inch	mm	inch	mm	inch	mm	BSP	inch	mm		
CYL-T252006085	2" (50.80)	6	152,40	1 1/16	26,9	16 1/4	412,60	3/8	1	25,4	8,18	
CYL-T252008085		8	203,20	1 1/16	26,9	18 1/4	463,60	3/8	1	25,4	8,86	
CYL-T252008085ASAE		8	203,20	1 1/16	26,9	20 1/4	514,40	3/8	1	25,4	9,09	
CYL-T252010085		10	254,00	1 1/16	26,9	20 1/4	514,40	3/8	1	25,4	9,55	
CYL-T252012085		12	304,80	1 1/16	26,9	22 1/4	565,20	3/8	1	25,4	9,77	
CYL-T252014085		14	355,60	1 1/16	26,9	24 1/4	616,00	3/8	1	25,4	10,91	
CYL-T252016085		16	406,40	1 1/16	26,9	26 1/4	666,80	3/8	1	25,4	11,59	
CYL-T252018085		18	457,20	1 1/16	26,9	28 1/4	717,60	3/8	1	25,4	12,27	
CYL-T252020085		20	508,00	1 1/16	26,9	30 1/4	768,40	3/8	1	25,4	12,73	
CYL-T252024085		24	609,60	1 1/16	26,9	34 1/4	870,00	3/8	1	25,4	14,32	
CYL-T252028085		28	711,20	1 1/16	26,9	38 1/4	974,56	3/8	1	25,4	15,23	
CYL-T252030085		30	762,00	1 1/16	26,9	40 1/4	1022,40	3/8	1	25,4	16,27	
CYL-T252036085		36	914,40	1 1/16	26,9	46 1/4	1174,80	3/8	1	25,4	18,18	
CYL-T252048085		48	1219,20	1 1/16	26,9	58 1/4	1479,56	3/8	1	25,4	26,82	

### 3" bore


Part number	Bore Inch (mm)	Stroke		Shaft		Retracted length		Ports	Pin Dia		Weight (kgs)	Retail price R
		inch	mm	inch	mm	inch	mm	BSP	inch	mm		
CYL-T25300610	3" (76.2)	6	152,40	1 1/4	31,8	16 1/4	412,80	1/2	1	25,4	10,91	
CYL-T25300810		8	203,20	1 1/4	31,8	18 1/4	463,60	1/2	1	25,4	11,91	
CYL-T25300810SAE		8	203,20	1 1/4	31,8	20 1/4	514,35	1/2	1	25,4	12,27	
CYL-T25300812		8	203,20	1 1/2	38,1	18 1/4	463,60	1/2	1	25,4	12,18	
CYL-T25300812ASAE		8	203,20	1 1/2	38,1	20 1/4	514,35	1/2	1	25,4	12,50	
CYL-T25301010		10	254,00	1 1/4	31,8	20 1/4	541,40	1/2	1	25,4	12,91	
CYL-T25301012		10	254,00	1 1/2	38,1	20 1/4	514,40	1/2	1	25,4	13,18	
CYL-T25301210		12	304,80	1 1/4	31,8	22 1/4	565,20	1/2	1	25,4	13,91	
CYL-T25301212		12	304,80	1 1/2	38,1	22 1/4	565,20	1/2	1	25,4	14,18	
CYL-T25301412		14	355,60	1 1/2	38,1	24 1/4	616,00	1/2	1	25,4	15,23	
CYL-T25301612		16	406,40	1 1/2	38,1	26 1/4	666,80	1/2	1	25,4	16,36	
CYL-T25301810		18	457,20	1 1/4	31,8	28 1/4	717,60	1/2	1	25,4	16,91	
CYL-T25301812		18	457,00	1 1/2	38,1	28 1/4	717,60	1/2	1	25,4	17,27	
CYL-T25302012		20	508,00	1 1/2	38,1	30 1/4	768,40	1/2	1	25,4	17,91	
CYL-T25302412		24	609,60	1 1/2	38,1	34 1/4	870,00	1/2	1	25,4	20,45	
CYL-T25302812		28	609,60	1 1/2	38,1			1/2	1	25,4	23,18	
CYL-T25303012		30	762,00	1 1/2	38,1	40 1/4	1022,40	1/2	1	25,4	24,45	
CYL-T25303612		36	914,40	1 1/2	38,1	46 1/4	1174,80	1/2	1	25,4	18,27	
CYL-T25304812		48	1219,20	1 1/2	38,1	58 1/4	1479,56	1/2	1	25,4	30,91	

# Tie Rod Hydraulic Cylinders

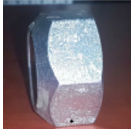
## 4" bore

Part number	Bore Inch (mm)	Stroke		Shaft		Retracted length		Ports	Pin Dia		Weight (kgs)	Retail price R
		inch	mm	inch	mm	inch	mm	BSP	inch	mm		
CYL-T25400816	4" (101.6)	8	203,20	2	50,8	18 1/4	463.6	1/2	1	25,4	17,95	
CYL-T25400816ASAE		8	203,20	2	50,8	20 1/4	514,35	1/2	1	25,4	18,86	
CYL-T25401012		10	254	1 1/2	31,8	20 1/4	514,40	1/2	1	25,4	19,55	
CYL-T25401016		10	254,00	2	50,8	20 1/4	514,40	1/2	1	25,4	20,23	
CYL-T25401212		12	304,80	1 1/2	31,8	22 1/4	565,20	1/2	1	25,4	21,14	
CYL-T25401216		12	304,80	2	50,8	22 1/4	565,20	1/2	1	25,4	21,91	
CYL-T25401416		14	355,60	2	50,8	24 1/4	616,00	1/2	1	25,4	23,41	
CYL-T25401616		16	406,40	2	50,8	26 1/4	666,80	1/2	1	25,4	25,00	
CYL-T25401812		18	457,20	1 1/2	31,8	28 1/4	717,60	1/2	1	25,4	26,14	
CYL-T25401816		18	457,20	2	50,8	28 1/4	717,60	1/2	1	25,4	17,27	
CYL-T25402016		20	508,00	2	50,8	30 1/4	768,40	1/2	1	25,4	29,09	
CYL-T25402416		24	609,60	2	50,8	34 1/4	871,00	1/2	1	25,4	31,50	
CYL-T25402816		28	711,20	2	50,8	38 1/4	974,56	1/2	1	25,4	35,68	
CYL-T25403016		30	762,00	2	50,8	40 1/4	1022,40	1/2	1	25,4	36,95	
CYL-T25403616		36	914,40	2	50,8	46 1/4	1174,80	1/2	1	25,4	42,41	
CYL-T25404816		48	1219,20	2	50,8	58 1/4	1479,56	1/2	1	25,4	55,91	


## rod clevises

	Part number	Description	Retail Price R
	CYL-RODCLT114UNF	Rod Clevis for 3" and 4" Bore Cylinder 1 1/4 UNF	
CYL-RODCLT112UNF	Rod Clevis - Tie Rod - 1 1/2 UNF		
CYL-RODCLT1116UNF	Rod clevis for 2" Bore Cylinder 1 1/16UNF		


## nut lock

	Part number	Description	Retail Price R
	CYL-LOCKNUTT2520	Piston Locknut for 2 " Tie Rod Cylinder	
CYL-LOCKNUTT2530	Piston Locknut for 3 " Tie Rod Cylinder		
CYL-LOCKNUTT2540	Piston Locknut for 4 " Tie Rod Cylinder		

## piston


	Part number	Description	Retail Price R
	CYL-PISTONT2520	Piston for 2" Tie Rod Cylinder	
CYL-PISTONT2530	Piston for 3" Tie Rod Cylinder		
CYL-PISTONT2540	Piston for 4" Tie Rod Cylinder		

## end clevis


	Part number	Description	Retail Price R
	CYL-ENDCLEVIST2520	End (Bass) Clevis for 2" Tie Rod Cylinder 3/8 BSP	
CYL-ENDCLEVIST2530	End (Bass) Clevis for 3" Tie Rod Cylinder 1/2 BSP		
CYL-ENDCLEVIST2540	End (Bass) Clevis for 4" Tie Rod Cylinder 1/2 BSP		

## Tie Rod Hydraulic Cylinders


### Gland

	Part number	Description	Retail Price R
	CYL-GLANDT2520	Gland for 2" Tie Rod Cylinder 1 1/16 Shaft	
	CYL-GLANDT2530112	Gland for 3" Tie Rod Cylinder 1 1/2 Shaft	
	CYL-GLANDT2530114	Gland for 3" Tie Rod Cylinder 1 1/4 Shaft	
	CYL-GLANDT2540112	Gland for 4" Tie Rod Cylinder 1 1/2 Shaft	
	CYL-GLANDT25402	Gland for 4" Tie Rod Cylinder 2" Shaft	

### Seal Kits

	Part number	Description	Bore	Shaft		Retail Price R
				inch	mm	
	SKT - 252009116	Seal kit For 2" Tie Rod Cylinder 1 1/16 Shaft	2"(50.8)	1 1/16	28.6	
	SKT - 253010114	Seal kit For 3" Tie Rod Cylinder 1 1/4 Shaft	3"(76.2)	1 1/4	31.8	
	SKT - 253012112	Seal kit For 3" Tie Rod Cylinder 1 1/2 Shaft	3"(76.2)	1 1/2	38.1	
	SKT - 254010	Seal kit For 4" Tie Rod Cylinder 1 1/4 Shaft	4"(101.6)	1 1/4	31.8	
	SKT - 254012	Seal kit For 4" Tie Rod Cylinder 1 1/2 Shaft	4"(101.6)	1 1/2	38.1	
	SKT - 254016	Seal kit For 3" Tie Rod Cylinder 2" Shaft	4"(101.6)	2	50.8	

### Pin Clip

	Part number	Description	Retail Price R
	CYL-PINCLIPDB23400	Cylinder Pin with 2 R Clip for Tie Rod Cylinder	

## Tie Rod Kits

Part number	L	L1	L2	M	Retail Price R
CYL-TRKT252006	265	20	20	M10 x 1.5	
CYL-TRKT252008	316	20	20	M10 x 1.5	
CYL-TRKT252010	368	20	20	M10 x 1.5	
CYL-TRKT252012	418	20	20	M10 x 1.5	
CYL-TRKT252014	468	20	20	M10 x 1.5	
CYL-TRKT252016	522	20	20	M10 x 1.5	
CYL-TRKT252018	572	20	20	M10 x 1.5	
CYL-TRKT252020	621	20	20	M10 x 1.5	
CYL-TRKT252024	722	20	20	M10 x 1.5	
CYL-TRKT252028	824	20	20	M10 x 1.5	
CYL-TRKT252030	874	20	20	M10 x 1.5	
CYL-TRKT253006	278	25	25	M12 x 1.75	
CYL-TRKT253008	329	25	25	M12 x 1.75	
CYL-TRKT253010	380	25	25	M12 x 1.75	
CYL-TRKT253012	430	25	25	M12 x 1.75	
CYL-TRKT253014	480	25	25	M12 x 1.75	
CYL-TRKT253016	532	25	25	M12 x 1.75	
CYL-TRKT253018	582	25	25	M12 x 1.75	

Price per set includes nut and washer

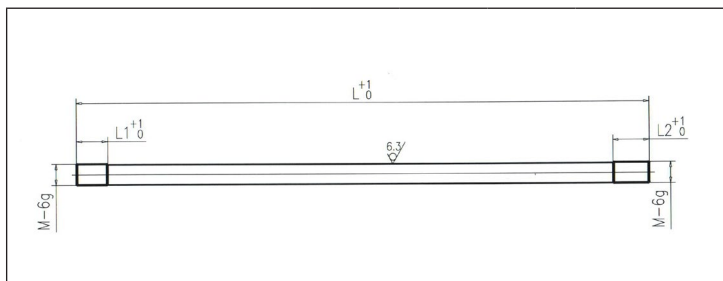


## Tie Rod Kits

Part number	L	L1	L2	M	Retail Price R
CYL-TRKT253020	633	25	25	M12 x 1.75	
CYL-TRKT253024	735	25	25	M12 x 1.75	
CYL-TRKT253028	837	25	25	M12 x 1.75	
CYL-TRKT253030	888	25	25	M12 x 1.75	
CYL-TRKT253036	1040	25	25	M12 x 1.75	
CYL-TRKT253048	1345	25	25	M12 x 1.75	
CYL-TRKT254006	300	35	30	M16 x 2	
CYL-TRKT254008	350	35	30	M16 x 2	
CYL-TRKT254010	400	35	30	M16 x 2	
CYL-TRKT254012	452	35	30	M16 x 2	
CYL-TRKT254014	502	35	30	M16 x 2	
CYL-TRKT254016	554	35	30	M16 x 2	
CYL-TRKT254018	605	35	30	M16 x 2	
CYL-TRKT254020	656	35	30	M16 x 2	
CYL-TRKT254024	757	35	30	M16 x 2	
CYL-TRKT254028	858	35	30	M16 x 2	
CYL-TRKT254030	910	35	30	M16 x 2	
CYL-TRKT254036	1062	35	30	M16 x 2	
CYL-TRKT254048	1367	35	30	M16 x 2	
CYL-TRKT254048	1367	35	30	M16 x 2	

## Tie Rod Kit-Dimensions

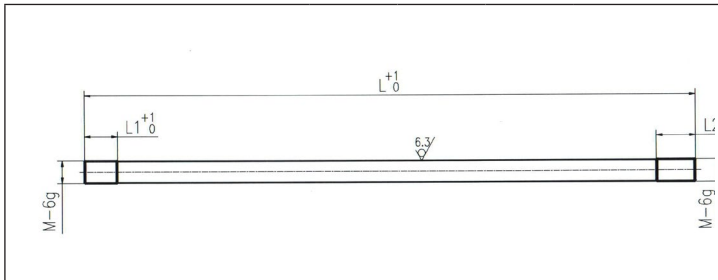
### Dimension for Tie Rod Kits - 2"



Part number	L	L1	L2	M
T252004-03	214	20	20	M10x 1.5
T252006-03	265	20	20	M10x 1.5
T252008-03	316	20	20	M10x 1.5
T252010-03	368	20	20	M10x 1.5
T252012-03	418	20	20	M10x 1.5
T252014-03	468	20	20	M10x 1.5
T252016-03	522	20	20	M10x 1.5
T252018-03	572	20	20	M10x 1.5
T252020-03	621	20	20	M10x 1.5
T252022-03	671	20	20	M10x 1.5
T252024-03	722	20	20	M10x 1.5
T252028-03	824	20	20	M10x 1.5
T252030-03	874	20	20	M10x 1.5
T252036-03	1027	20	20	M10x 1.5
T252048-03	1331	20	20	M10x 1.5

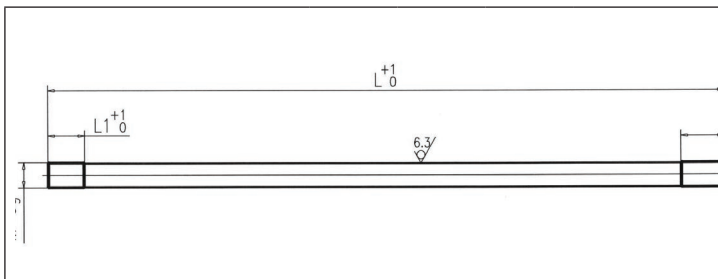
# Tie Rod Kit-Dimensions

## Dimension for Tie Rod Kits - 3"



Part number	L	L1	L2	M
T253006-03	278	25	25	M12x1.75
T253008-03	329	25	25	M12x1.75
T253010-03	380	25	25	M12x1.75
T253012-03	430	25	25	M12x1.75
T253014-03	480	25	25	M12x1.75
T253016-03	532	25	25	M12x1.75
T253018-03	582	25	25	M12x1.75
T253020-03	633	25	25	M12x1.75
T253024-03	735	25	25	M12x1.75
T253028-03	837	25	25	M12x1.75
T253030-03	888	25	25	M12x1.75
T253036-03	1040	25	25	M12x1.75
T253048-03	1345	25	25	M12x1.75
T253060-03	1650	25	25	M12x1.75

## Dimension for Tie Rod Kits - 4"



Part number	L	L1	L2	M
T254004-03	250	35	30	M16x2
T254006-03	300	35	30	M16x2
T254008-03	350	35	30	M16x2
T254010-03	400	35	30	M16x2
T254012-03	452	35	30	M16x2
T254014-03	502	35	30	M16x2
T254016-03	554	35	30	M16x2
T254018-03	605	35	30	M16x2
T254020-03	656	35	30	M16x2
T254024-03	757	35	30	M16x2
T254028-03	858	35	30	M16x2
T254030-03	910	35	30	M16x2
T254036-03	1062	35	30	M16x2
T254048-03	1367	35	30	M16x2

# hydraulic cylinders



MANUFACTURED TO CUSTOMER  
SPECIFICATIONS



## Notes